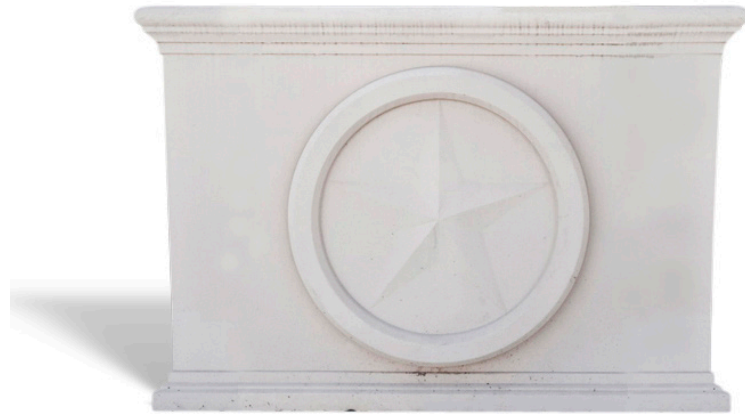


Texas Bollard Planter



Showcase Lone Star pride with the Texas Bollard Planter. Our artisans crafted this piece to feature the famous state symbol, making it ideal for schools, colleges, office buildings, venues, and more. The planter is constructed from glass fiber reinforced concrete (GFRC), an architectural composite that resists weather and corrosion as well as impact. Install this anywhere you need to mark entrances, restrict traffic, protect pedestrians, or add greenery. It's shown here in a white concrete finish, but other finishes and colors are available. We'll customize the size too.

The 4 Kids was born out of a desire to create high quality, one-of-a-kind park shelters and play environments that effectively appeal to children's natural curiosity and imagination.

All of our products are custom designed to work perfectly with your unique playground. Let us know how we can meet your specific needs by contacting our knowledgeable design specialists, today.

Contact Us

Ordering from The 4 Kids is easy, initial consultation & quote is free.
We can also provide you with design ideas and conceptual drawings.
We want your whole experience with The 4 Kids to be smooth & rewarding.

4400 Oneal St. Greenville, TX 75401

903.454.9237

info@the4kids.com

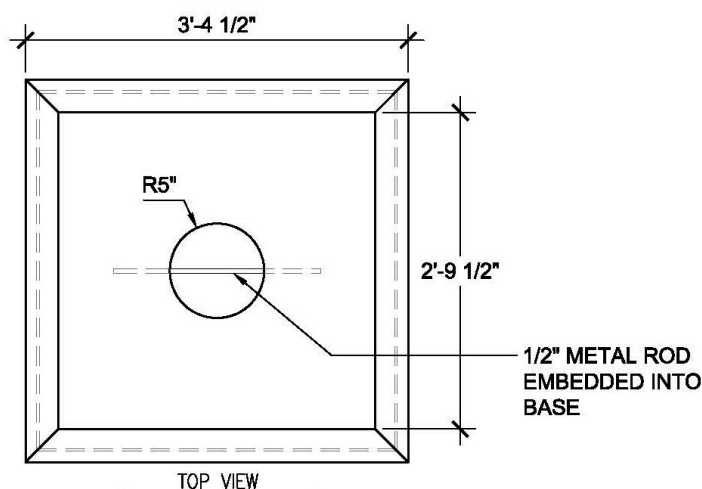
www.the4kids.com

Why Use Us?

Let our team of experienced engineers and artists make your playground the destination for fun! We can create an exciting space where children's imaginations can run wild. A playscape where parents can feel secure and create lasting memories with their whole family.

Key Features

- Easy to install
- Low-maintenance finish
- Courteous staff ready to assist you
- No-obligation, free project quote
- We love custom projects talk with a consultant to learn more



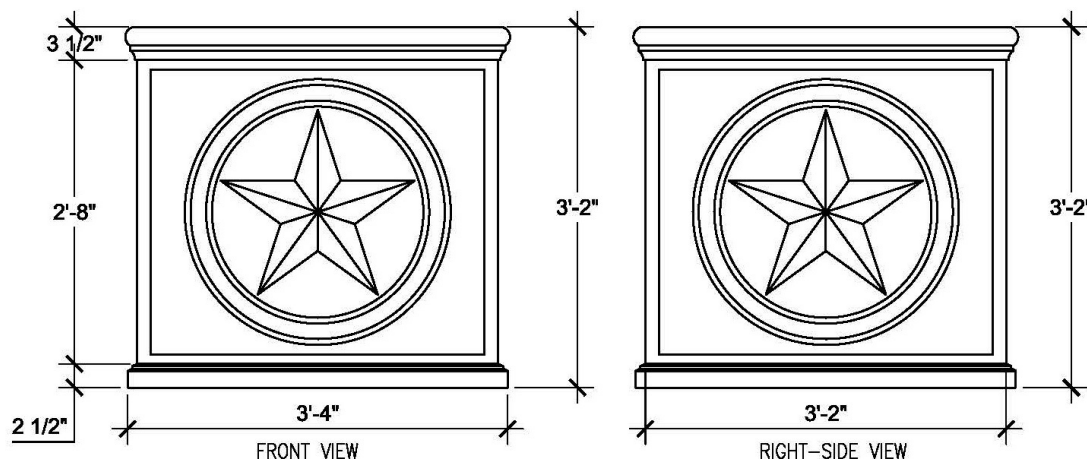
Specifications

Age Range:
N/A

Dimensions:
40.5"L x 40.5"W x 38"H

Use Zone:
N/A

Mounting Options:
See Typical Installation Details



SIZE CHART

NAME	HEIGHT	WIDTH
SBOP 004.1	1'-8"	1'-8"
SBOP 004.2	2'-2"	2'-2"
SBOP 004.3	2'-8"	2'-8"
SBOP 004.4	3'-2"	3'-2"
SBOP 004.5	3'-8"	3'-8"

Contact Us

Ordering from The 4 Kids is easy, initial consultation & quote is free. We can also provide you with design ideas and conceptual drawings. We want your whole experience with The 4 Kids to be smooth & rewarding.

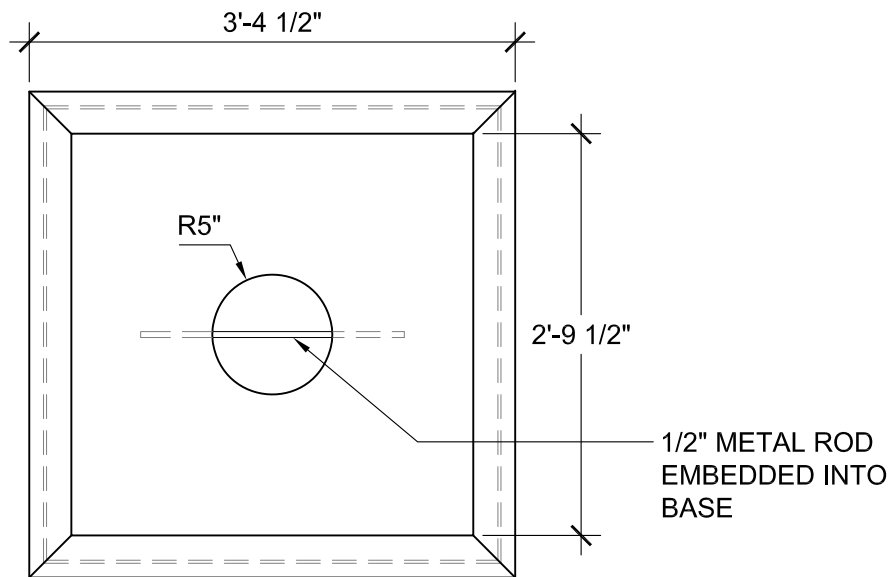
4400 Oneal St. Greenville, TX 75401

903.454.9237

info@the4kids.com

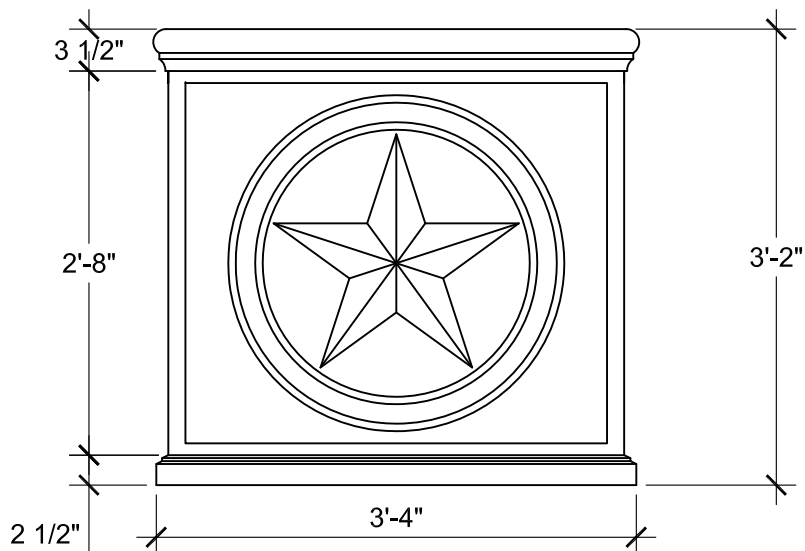
www.the4kids.com

© 2014 The 4 Kids Inc. All rights reserved.

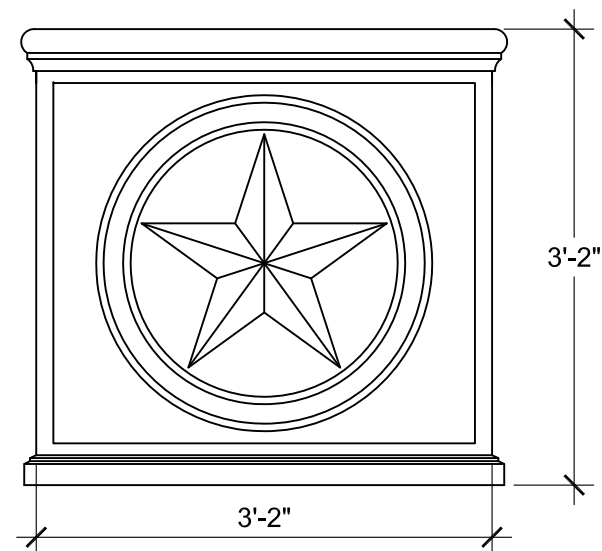


TOP VIEW
SCALE: 3/4" = 1'-0"

SIZE CHART		
NAME	HEIGHT	WIDTH
SBOP 004.1	1'-8"	1'-8"
SBOP 004.2	2'-2"	2'-2"
SBOP 004.3	2'-8"	2'-8"
SBOP 004.4	3'-2"	3'-2"
SBOP 004.5	3'-8"	3'-8"



FRONT VIEW
SCALE: 3/4" = 1'-0"



RIGHT-SIDE VIEW
SCALE: 3/4" = 1'-0"

ALL RIGHTS RESERVED. THIS DRAWING IS PROPERTY OF THE 4 KIDS INC. AND MAY BE USED ONLY WHEN UTILIZING THE 4 KIDS PRODUCTS. THE 4 KIDS INC. GENERAL TERMS AND CONDITIONS APPLY AND ARE INCORPORATE HERE IN BY REFERENCE. THIS DETAIL MAY NOT APPLY TO ALL CONDITIONS AND CONSTRUCTION SITUATIONS.



CUSTOM THEMED PLAYGROUNDS

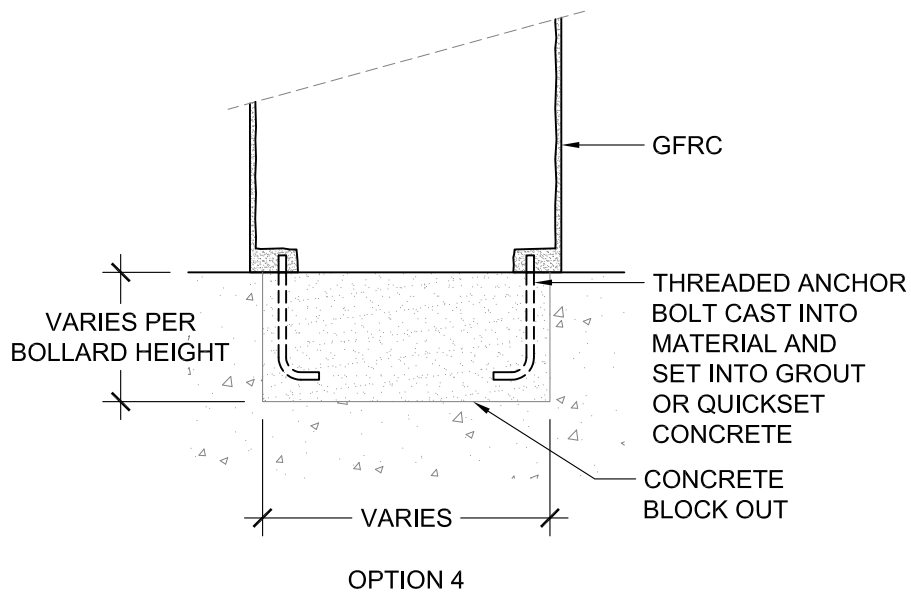
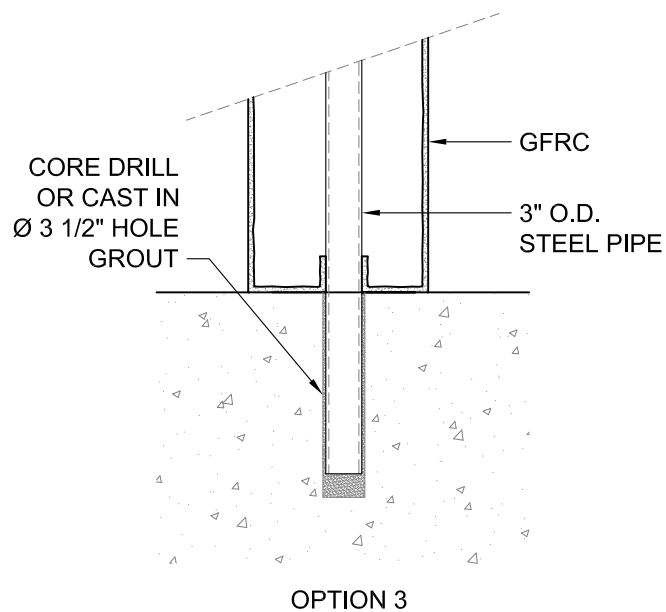
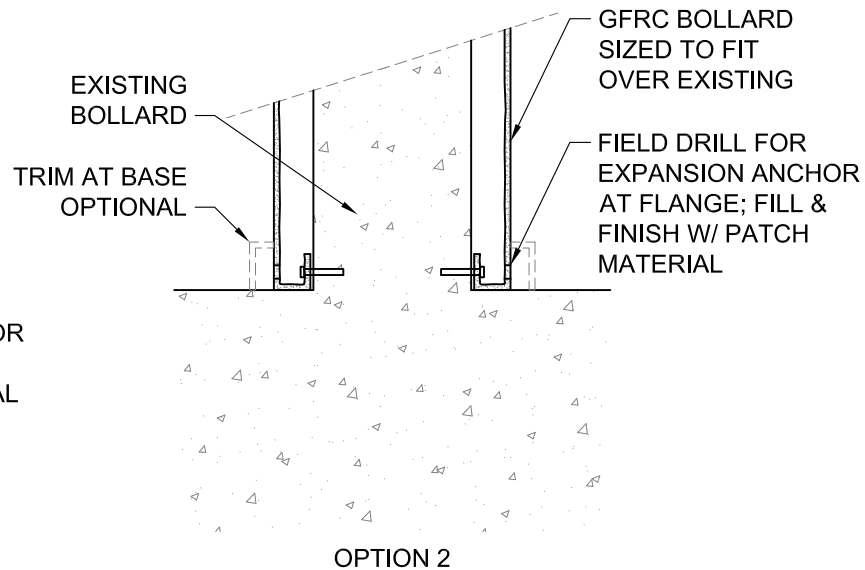
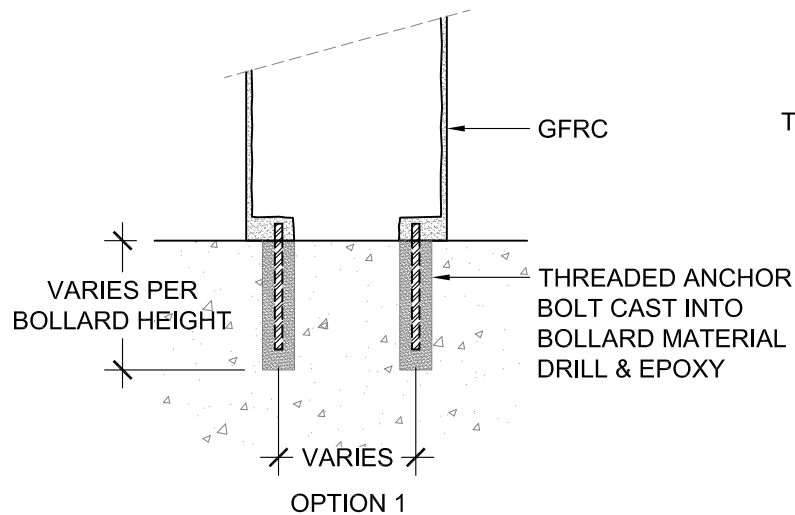
4400 ONEAL STREET, GREENVILLE, TX 75401 PHONE 903.454.9237 FAX 903.454.3642

TITLE: TEXAS BOLLARD PLANTER

TYPE DWG: SECURITY PLANTER

SCALE: AS NOTED

DWG. SHEET: **SBOP-004**



ALL RIGHTS RESERVED. THIS DRAWING IS PROPERTY OF THE 4 KIDS INC. AND MAY BE USED ONLY WHEN UTILIZING THE 4 KIDS PRODUCTS. THE 4 KIDS INC. GENERAL TERMS AND CONDITIONS APPLY AND ARE INCORPORATE HERE IN BY REFERENCE. THIS DETAIL MAY NOT APPLY TO ALL CONDITIONS AND CONSTRUCTION SITUATIONS.



CUSTOM THEMED PLAYGROUNDS

4400 ONEAL STREET, GREENVILLE, TX 75401 PHONE 903.454.9237 FAX 903.454.3642

TITLE: BOLLARD

TYPE DWG: MOUNTING

SCALE: AS NOTED

DWG. SHEET: **SBSP-M1**