

Washington Bollard Planter



The Washington Bollard Planter has what it takes to safeguard people and property, including vehicles, entrances, utility boxes, and more. Our team designed this to be an attractive planter that will enhance any landscape or streetscape with people-pleasing greenery. Yet the Washington is also a highly-durable security bollard engineered with material that withstands impact, making it the perfect combination of form and function. You get the look you want while your patrons or buildings get the security they deserve.

The 4 Kids was born out of a desire to create high quality, one-of-a-kind park shelters and play environments that effectively appeal to children's natural curiosity and imagination.

All of our products are custom designed to work perfectly with your unique playground. Let us know how we can meet your specific needs by contacting our knowledgeable design specialists, today.

Contact Us

Ordering from The 4 Kids is easy, initial consultation & quote is free.
We can also provide you with design ideas and conceptual drawings.
We want your whole experience with The 4 Kids to be smooth & rewarding.

4400 ONeal St. Greenville, TX 75401

903.454.9237

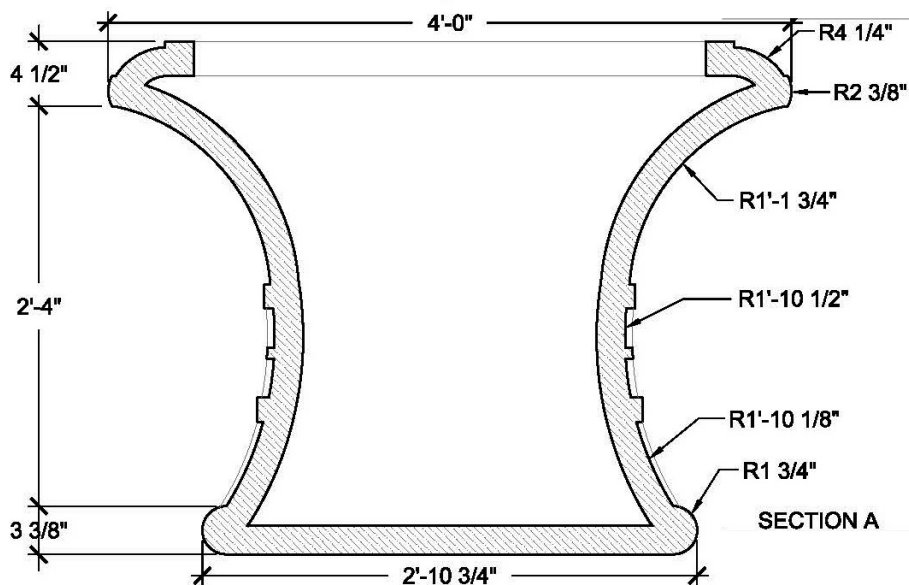
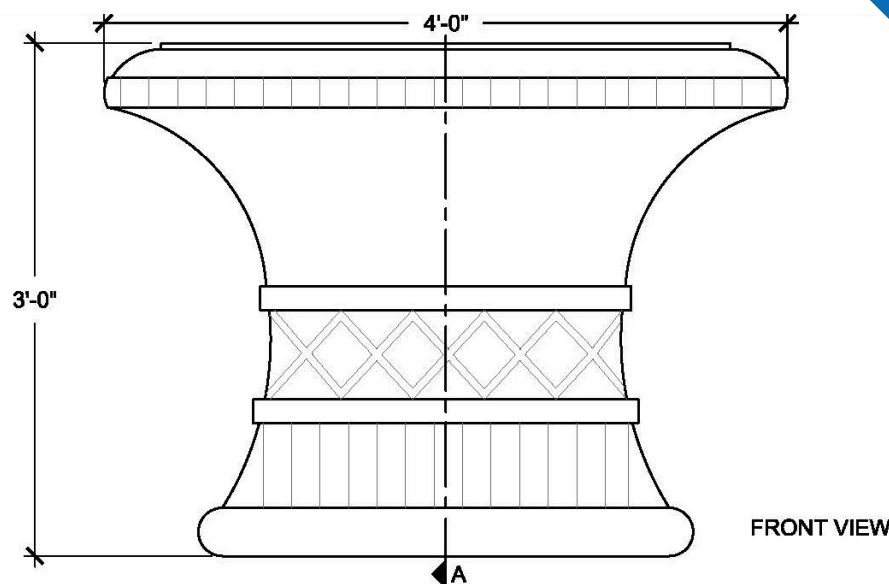
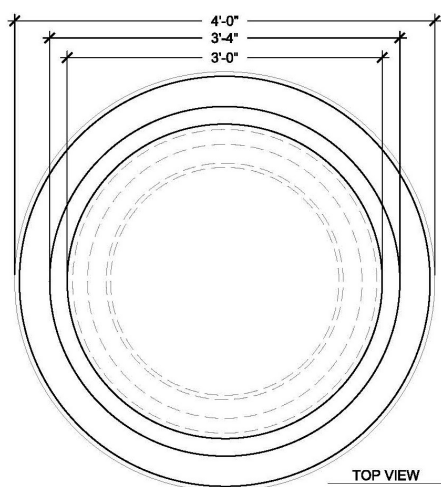
info@the4kids.com

www.the4kids.com

Let our team of experienced engineers and artists make your playground the destination for fun! We can create an exciting space where children's imaginations can run wild. A playscape where parents can feel secure and create lasting memories with their whole family.

Key Features

- Many colors and several finishes available
- Simple to install
- One of many bollard products we offer, including illuminated bollards
- Friendly staff on hand to answer all your questions
- Free, no-obligation consultation and quote



Specifications

Age Range:
N/A

Dimensions:
48"L x 48"W x 36"H

Use Zone:
N/A

Mounting Options:
See Typical Installation Details

SIZE CHART		
NAME	HEIGHT	WIDTH
SBOP 040.1	2'-0"	2'-8"
SBOP 040.2	2'-6"	3'-4"
SBOP 040.3	3'-0"	4'-0"
SBOP 040.4	3'-6"	4'-8"
SBOP 040.5	4'-0"	5'-4"

Contact Us

Ordering from The 4 Kids is easy, initial consultation & quote is free. We can also provide you with design ideas and conceptual drawings. We want your whole experience with The 4 Kids to be smooth & rewarding.

4400 Oneal St. Greenville, TX 75401

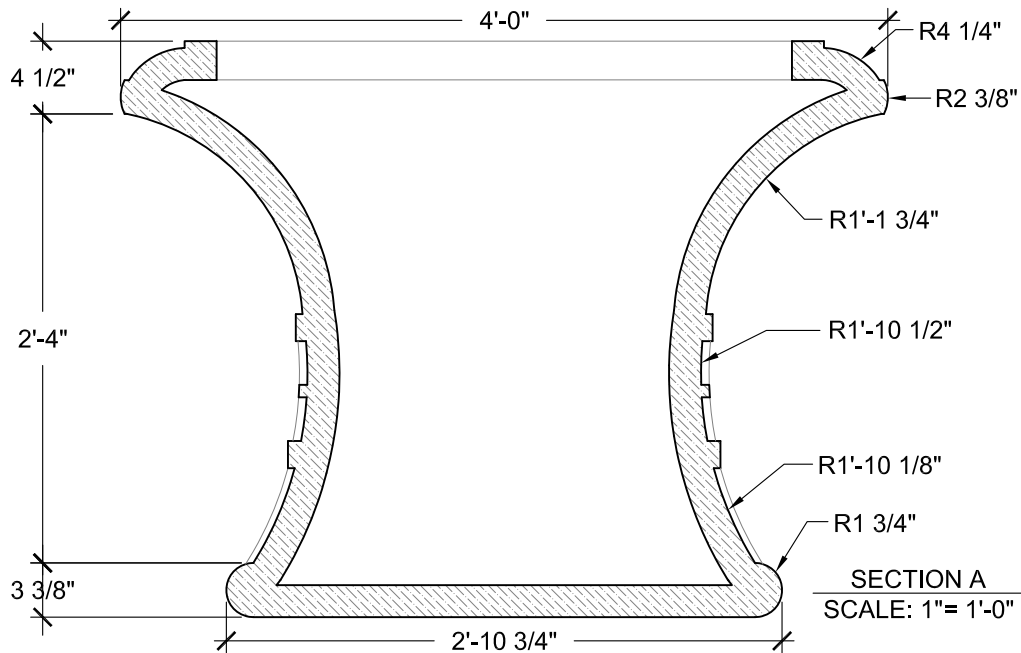
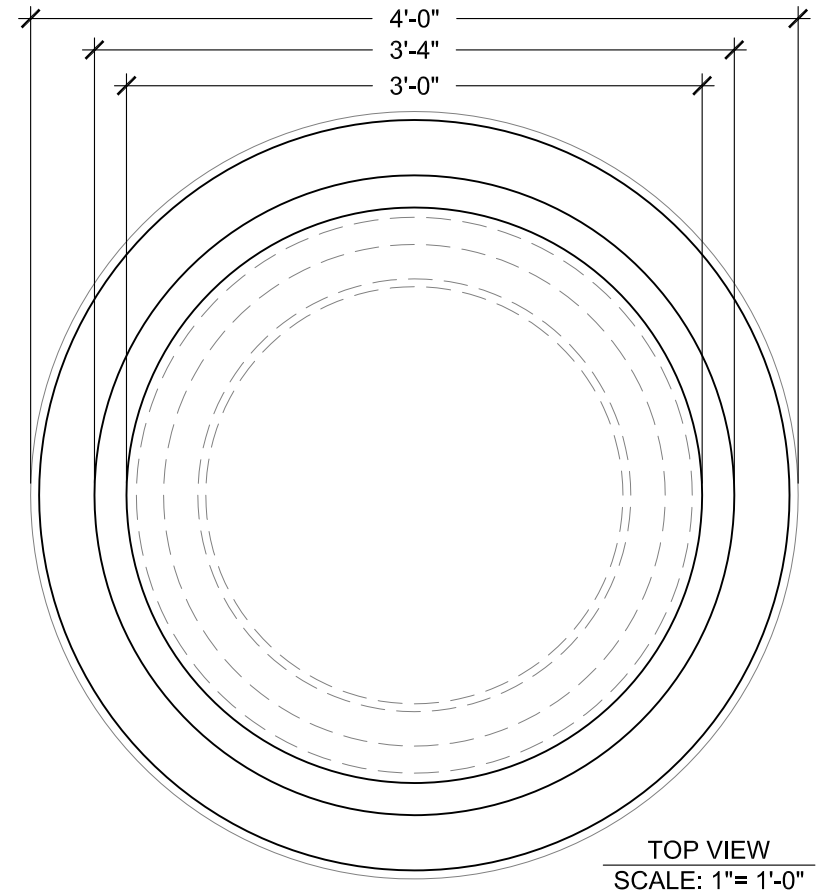
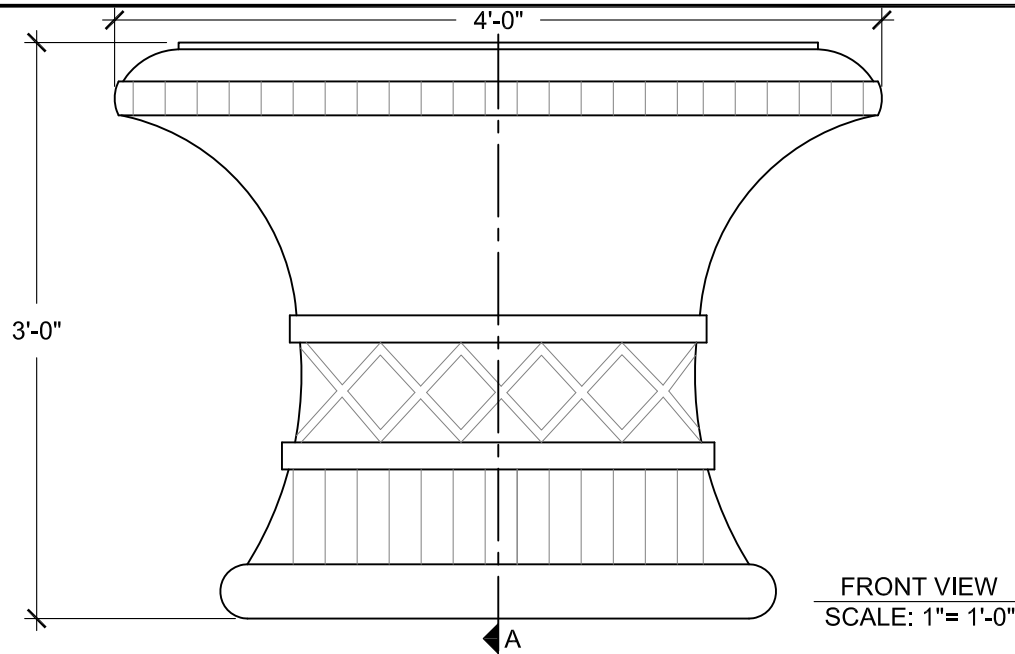
903.454.9237

info@the4kids.com

www.the4kids.com

SIZE CHART

NAME	HEIGHT	WIDTH
SBOP 040.1	2'-0"	2'-8"
SBOP 040.2	2'-6"	3'-4"
SBOP 040.3	3'-0"	4'-0"
SBOP 040.4	3'-6"	4'-8"
SBOP 040.5	4'-0"	5'-4"



ALL RIGHTS RESERVED. THIS DRAWING IS PROPERTY OF THE 4 KIDS INC. AND MAY BE USED ONLY WHEN UTILIZING THE 4 KIDS PRODUCTS. THE 4 KIDS INC. GENERAL TERMS AND CONDITIONS APPLY AND ARE INCORPORATE HERE IN BY REFERENCE. THIS DETAIL MAY NOT APPLY TO ALL CONDITIONS AND CONSTRUCTION SITUATIONS.



CUSTOM THEMED PLAYGROUNDS

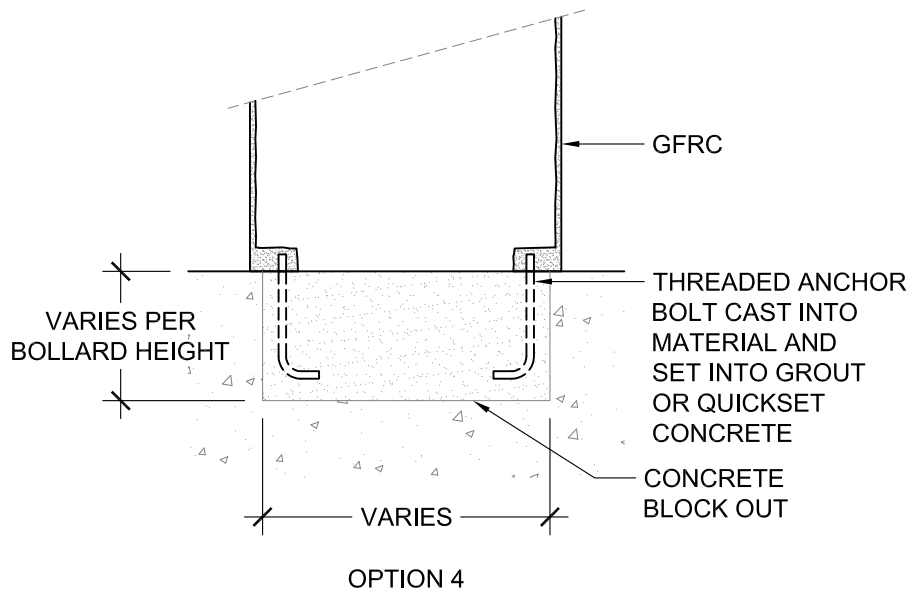
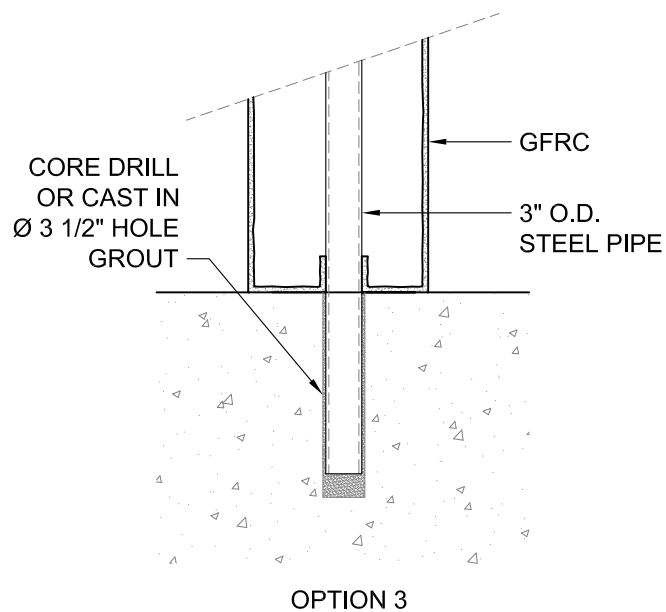
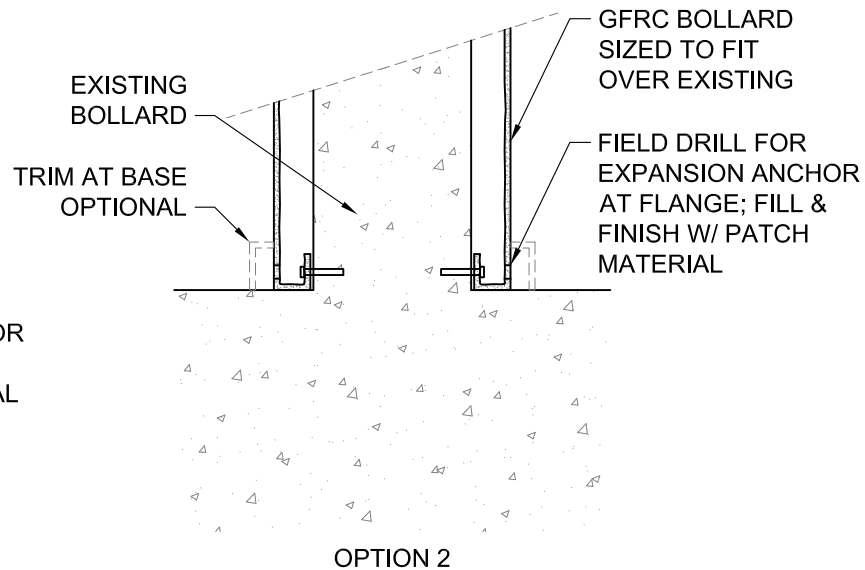
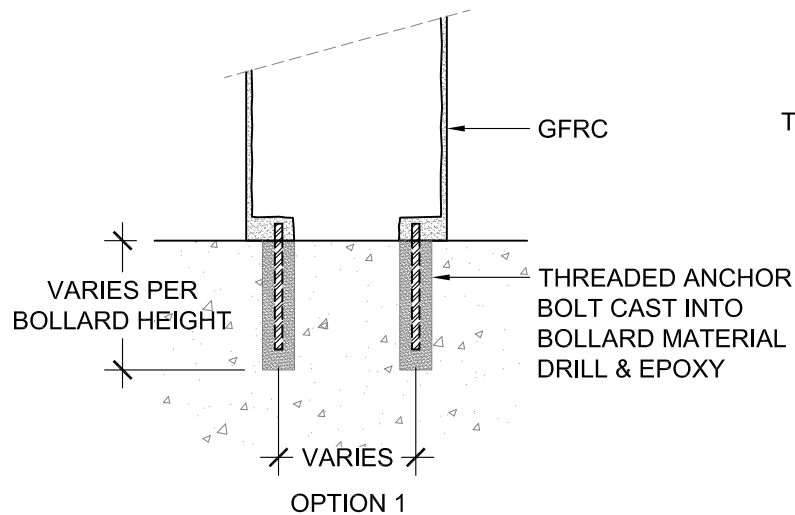
4400 ONEAL STREET, GREENVILLE, TX 75401 PHONE 903.454.9237 FAX 903.454.3642

TITLE: WASHINGTON BOLLARD PLANTER

TYPE DWG: BOLLARD

SCALE: AS NOTED

DWG. SHEET: **SBOP-040**



ALL RIGHTS RESERVED. THIS DRAWING IS PROPERTY OF THE 4 KIDS INC. AND MAY BE USED ONLY WHEN UTILIZING THE 4 KIDS PRODUCTS. THE 4 KIDS INC. GENERAL TERMS AND CONDITIONS APPLY AND ARE INCORPORATE HERE IN BY REFERENCE. THIS DETAIL MAY NOT APPLY TO ALL CONDITIONS AND CONSTRUCTION SITUATIONS.



CUSTOM THEMED PLAYGROUNDS

4400 ONEAL STREET, GREENVILLE, TX 75401 PHONE 903.454.9237 FAX 903.454.3642

TITLE: BOLLARD

TYPE DWG: MOUNTING

SCALE: AS NOTED

DWG. SHEET: **SBSP-M1**