



Water Lily Post Topper



Create your own natural wonderland theme park or playground with amazing décor elements such as The 4 Kids Water Lily Post Topper designs, favorites of kids and adults who love Tealwood Oaks Playground in Flower Mound, Texas, where Nature and super fun have kids coming back again and again. The Water Lily design, crafted by playground experts in The 4 Kids studios, is a flawless replica of the real thing, down to the optional little lady bug making her way up the stem. Mounted on utility posts used for everything from marking pathways to defining queue lines, the water lilies make any hum post a décor element to thrill and delight park goers. Park planners love them too, but for altogether different reasons. Glass fiber reinforced polymer construction ensures years of high quality and low maintenance no matter what the weather, even salt spray from the sea. Completely customized according to your specific needs, the water lily post topper is one of the many exciting designs of the artistic team at The 4 Kids.

The 4 Kids was born out of a desire to create high quality, one-of-a-kind park shelters and play environments that effectively appeal to children's natural curiosity and imagination.

All of our products are custom designed to work perfectly with your unique playground. Let us know how we can meet your specific needs by contacting our knowledgeable design specialists, today.

Contact Us

Ordering from The 4 Kids is easy, initial consultation & quote is free.
We can also provide you with design ideas and conceptual drawings.
We want your whole experience with The 4 Kids to be smooth & rewarding.

4400 Oneal St. Greenville, TX 75401

903.454.9237

info@the4kids.com

www.the4kids.com

Why Use Us?

Let our team of experienced engineers and artists make your playground the destination for fun! We can create an exciting space where children's imaginations can run wild. A playscape where parents can feel secure and create lasting memories with their whole family.

Key Features

- Water Lily post toppers add style to park décor
- Possibilities for placement are endless
- Customized design
- Work of playground art to thrill park goers
- Resilient and weather resistant



Specifications

Age Range:
N/A

Dimensions:
Customizable

Play Area:
N/A

Mounting Options:
See Typical
Installation Details

Contact Us

Ordering from The 4 Kids is easy, initial consultation & quote is free. We can also provide you with design ideas and conceptual drawings. We want your whole experience with The 4 Kids to be smooth & rewarding.

4400 Oneal St. Greenville, TX 75401

903.454.9237

info@the4kids.com

www.the4kids.com

© 2014 The 4 Kids Inc. All rights reserved.

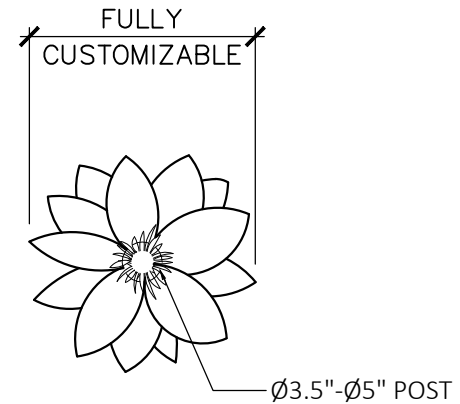
WATER LILY POST TOPPER

FULLY CUSTOMIZABLE



PRODUCT VIEW

SCALE: NTS



TOP VIEW

SCALE: 1/2" = 1'

ALL RIGHTS RESERVED. THIS DRAWING IS PROPERTY OF THE 4 KIDS INC. AND MAY BE USED ONLY WHEN UTILIZING THE 4 KIDS INC. GENERAL TERMS AND CONDITIONS APPLY AND ARE INCORPORATED HERE IN BY REFERENCE. THIS DETAIL MAY NOT APPLY TO ALL CONDITIONS AND CONSTRUCTION SITUATIONS.

ITEM ID: POS183

MATERIAL:

MOLD

APX. TTL. WEIGHT

TOTAL # OF ITEM:

- LBS. [- KG]

TOTAL SQ. FEET: - [- sqm.]

PROJECT:

TITLE: WATER LILY POST TOPPER

REFERENCES:

COLOR & PER APPROVED SAMPLE
TEXTURE: PER APPROVED SAMPLE



CUSTOM THEMED PLAYGROUNDS

400 ONEAL STREET, GREENVILLE, TX 75401 PHONE 903.454.9237 FAX 903.454.3642

TYPE DWG:

DRAWN BY: ABS

DATE:

SCALE: AS NOTED

SHEET:

DWG. SHEET: