



Winterborne Bollard



Dress up your site with style, without sacrificing function. Despite its relatively light weight, the Winterborne Bollard is engineered to last. The finish is resistant to weather, corrosion, and UV light. What's more, the material used is reinforced with glass fiber, creating a super-strong post that will resist impact. This design is timeless, making it a great ornamental bollard for sites like hotels, resorts, office buildings, condos, and venues. Our team has designed and built site amenities for some of the world's best-known brands let us make your project a success.

The 4 Kids was born out of a desire to create high quality, one-of-a-kind park shelters and play environments that effectively appeal to children's natural curiosity and imagination.

All of our products are custom designed to work perfectly with your unique playground. Let us know how we can meet your specific needs by contacting our knowledgeable design specialists, today.

Contact Us

Ordering from The 4 Kids is easy, initial consultation & quote is free.
We can also provide you with design ideas and conceptual drawings.
We want your whole experience with The 4 Kids to be smooth & rewarding.

4400 Oneal St. Greenville, TX 75401

903.454.9237

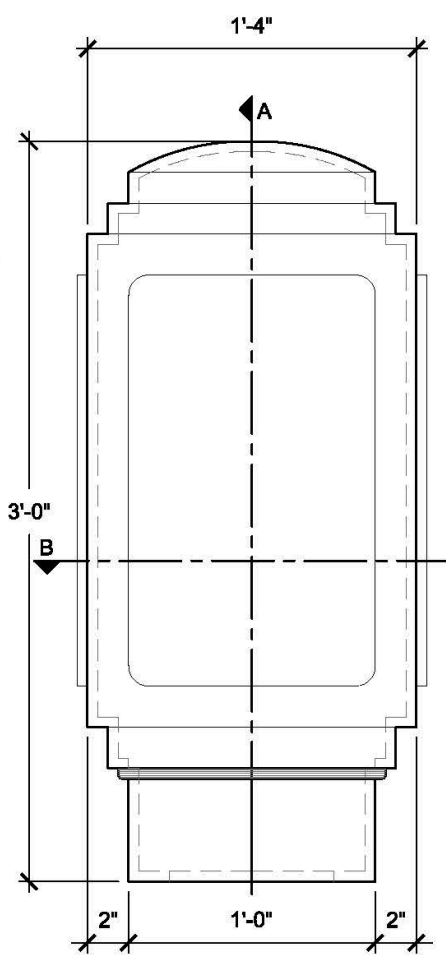
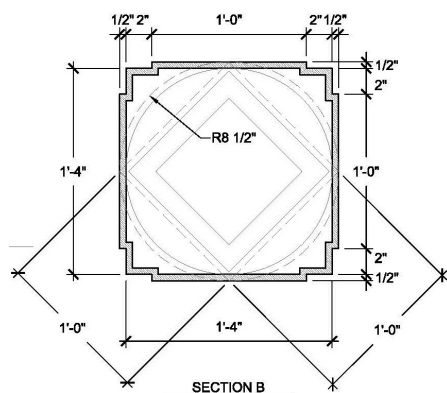
info@the4kids.com

www.the4kids.com

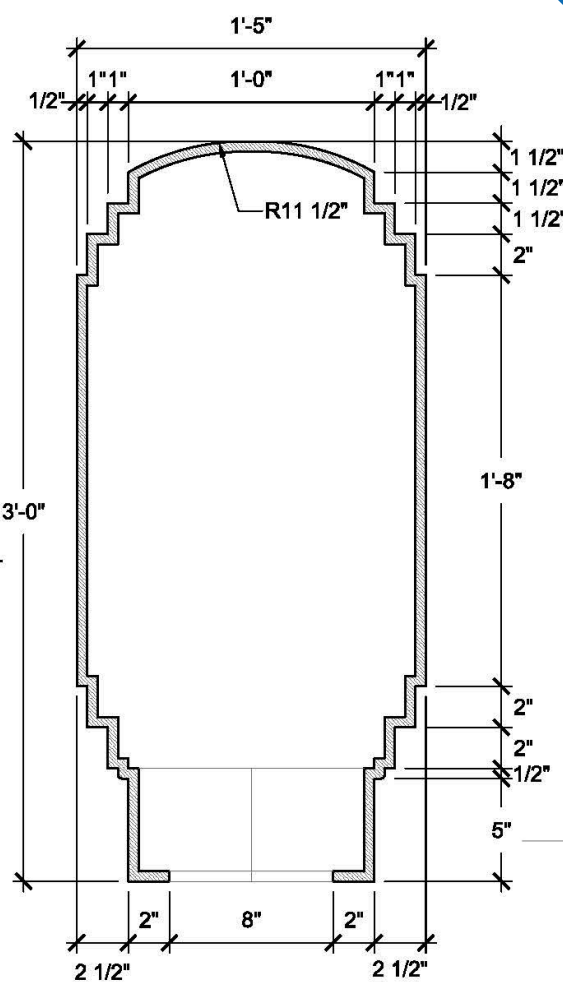
Let our team of experienced engineers and artists make your playground the destination for fun! We can create an exciting space where children's imaginations can run wild. A playscape where parents can feel secure and create lasting memories with their whole family.

Key Features

- Many colors and finishes offered, including concrete and stone finishes
- Design assistance and CAD details available
- Friendly team ready to provide a free consultation and quote



FRONT VIEW



SECTION A

Specifications

Age Range:
N/A

Dimensions:
16" L x 16" W x 36" H

Use Zone:
N/A

Mounting Options:
See Typical Installation Details

SIZE CHART

NAME	HEIGHT	WIDTH
SBOP 123.1	2'-0"	0'-11"
SBOP 123.2	2'-6"	1'-2"
SBOP 123.3	3'-0"	1'-4"
SBOP 123.4	3'-6"	1'-7"
SBOP 123.5	4'-0"	1'-9"

Contact Us

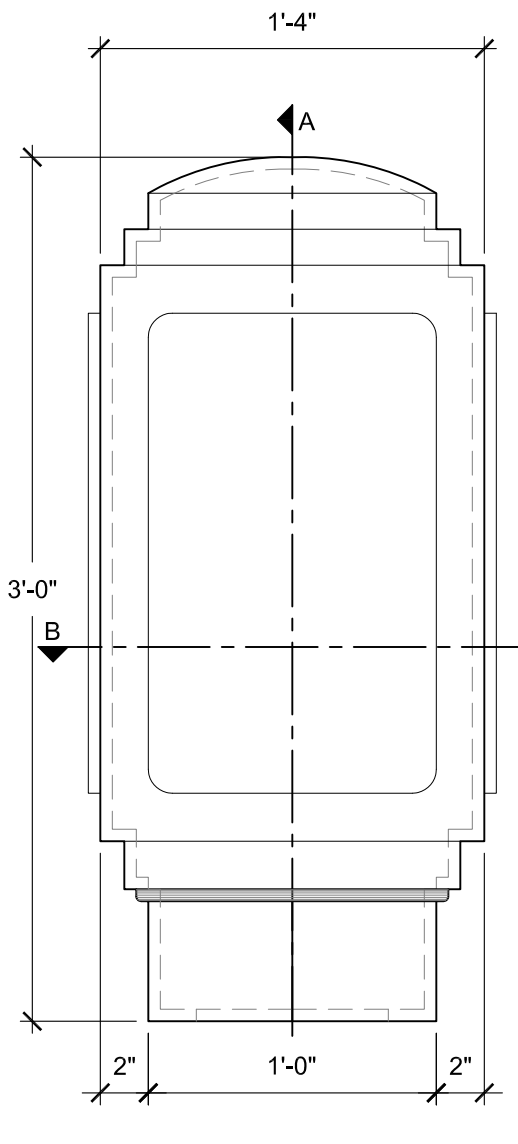
Ordering from The 4 Kids is easy, initial consultation & quote is free. We can also provide you with design ideas and conceptual drawings. We want your whole experience with The 4 Kids to be smooth & rewarding.

4400 Oneal St. Greenville, TX 75401

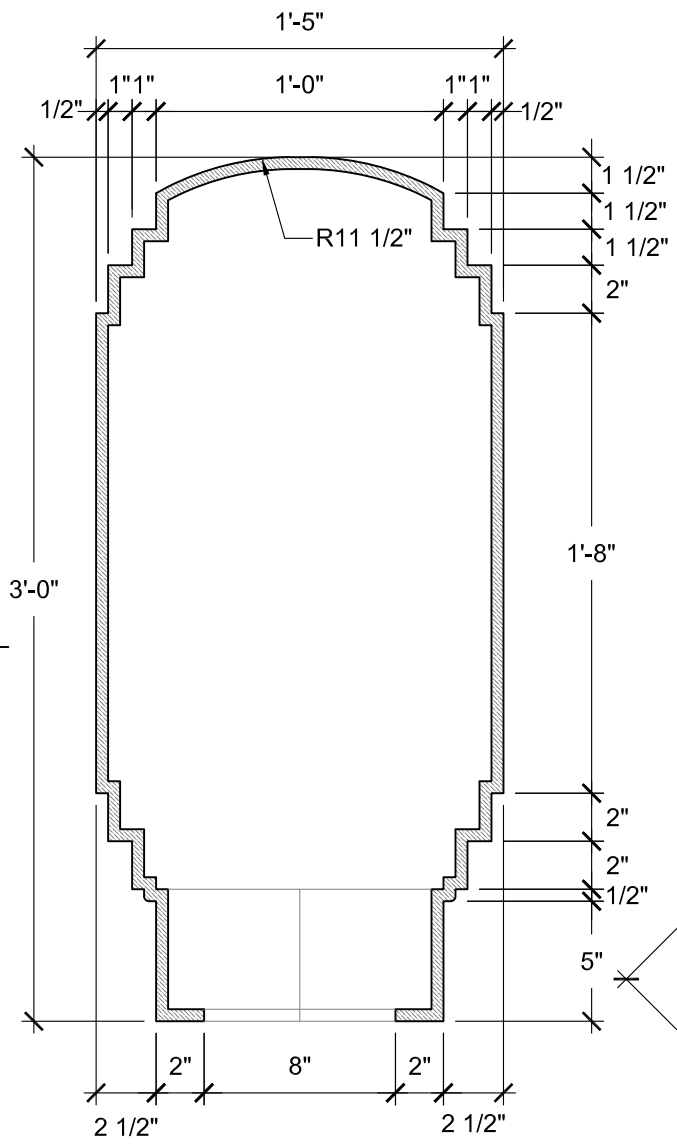
903.454.9237

info@the4kids.com

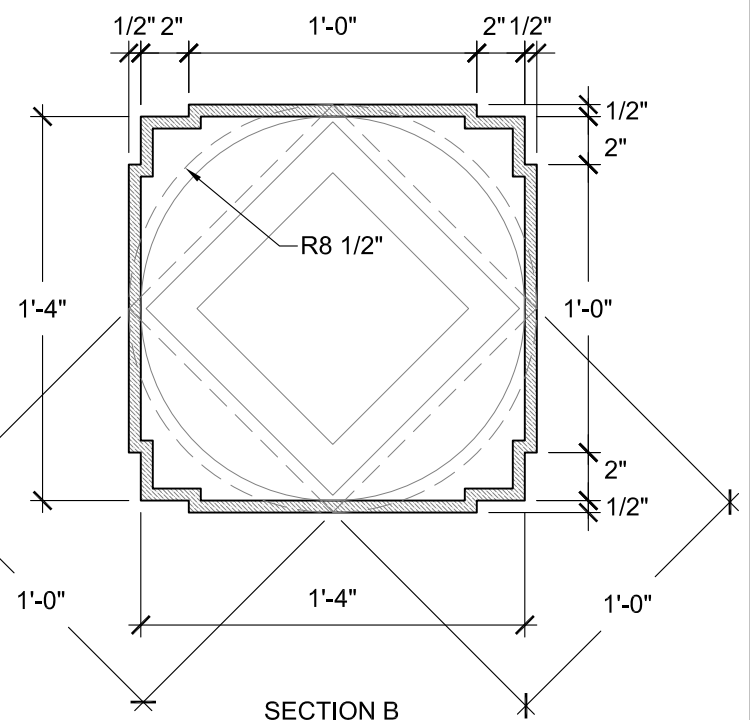
www.the4kids.com



FRONT VIEW
SCALE: 1 1/2" = 1'-0"



SECTION A
SCALE: 1 1/2" = 1'-0"



SECTION B
SCALE: 1 1/2" = 1'-0"

SIZE CHART		
NAME	HEIGHT	WIDTH
SBOP 123.1	2'-0"	0'-11"
SBOP 123.2	2'-6"	1'-2"
SBOP 123.3	3'-0"	1'-4"
SBOP 123.4	3'-6"	1'-7"
SBOP 123.5	4'-0"	1'-9"

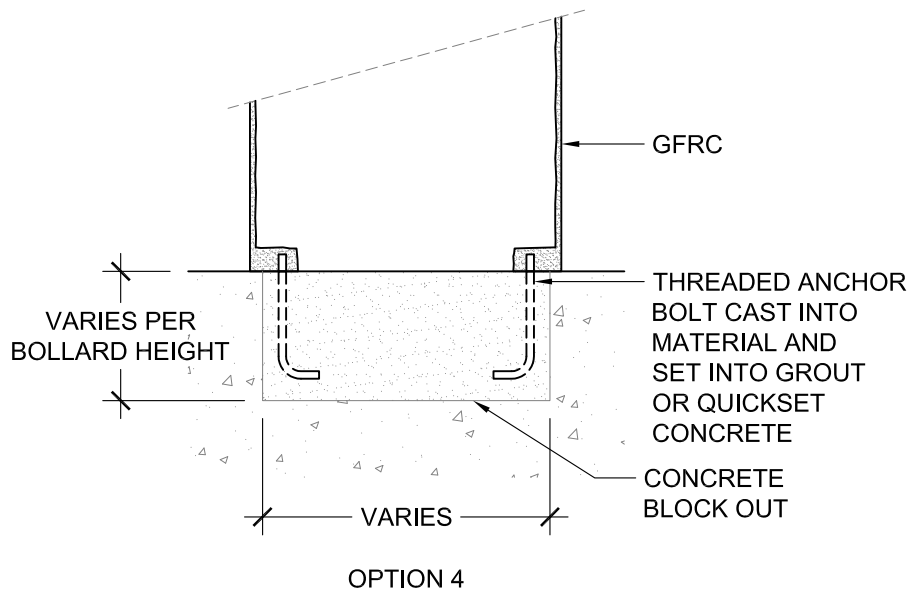
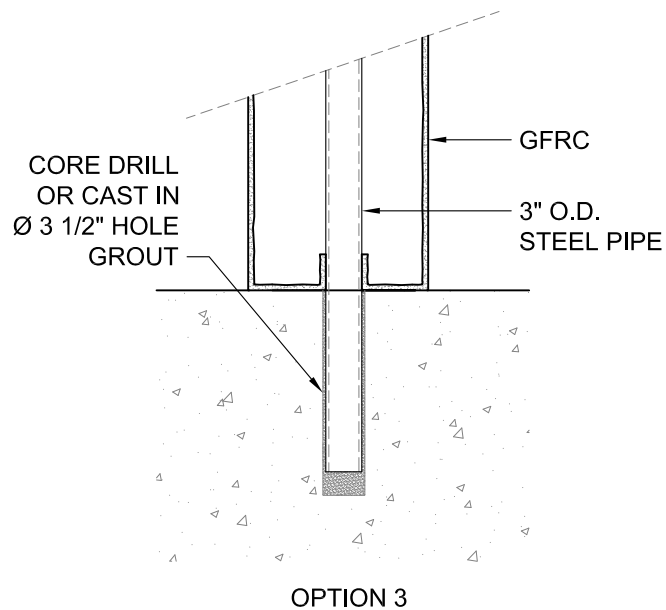
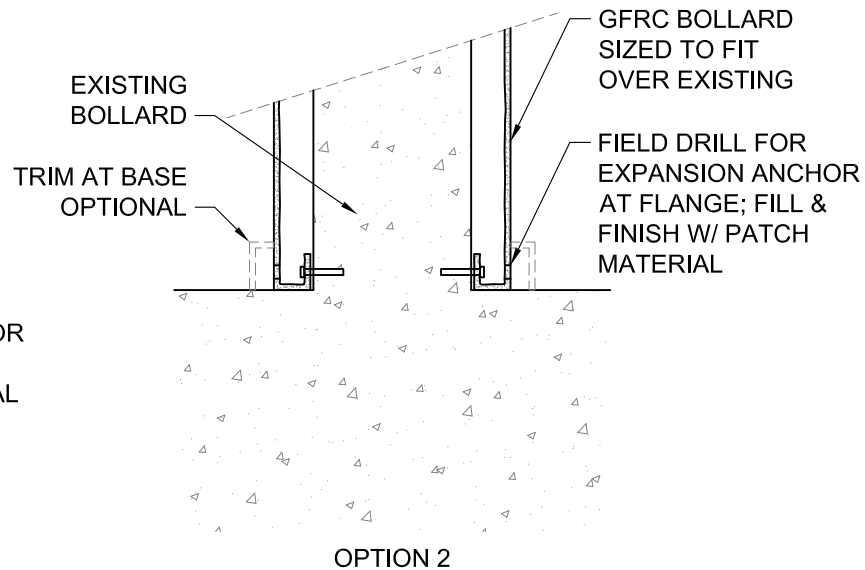
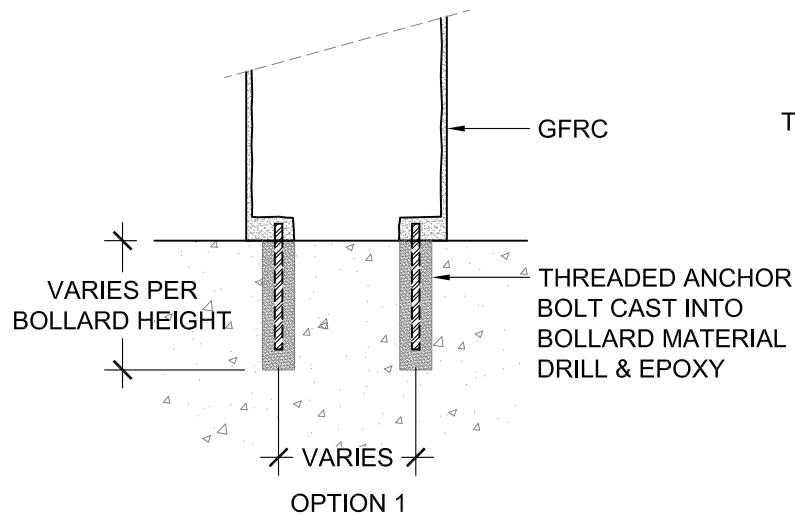
ALL RIGHTS RESERVED. THIS DRAWING IS PROPERTY OF THE 4 KIDS INC. AND MAY BE USED ONLY WHEN UTILIZING THE 4 KIDS PRODUCTS. THE 4 KIDS INC. GENERAL TERMS AND CONDITIONS APPLY AND ARE INCORPORATE HERE IN BY REFERENCE. THIS DETAIL MAY NOT APPLY TO ALL CONDITIONS AND CONSTRUCTION SITUATIONS.



CUSTOM THEMED PLAYGROUNDS
4400 ONEAL STREET, GREENVILLE, TX 75401 PHONE 903.454.9237 FAX 903.454.3642

TITLE: WINTERBORNE BOLLARD
SCALE: AS NOTED

TYPE DWG: BOLLARD
DWG. SHEET: **SBOP-123**



ALL RIGHTS RESERVED. THIS DRAWING IS PROPERTY OF THE 4 KIDS INC. AND MAY BE USED ONLY WHEN UTILIZING THE 4 KIDS PRODUCTS. THE 4 KIDS INC. GENERAL TERMS AND CONDITIONS APPLY AND ARE INCORPORATE HERE IN BY REFERENCE. THIS DETAIL MAY NOT APPLY TO ALL CONDITIONS AND CONSTRUCTION SITUATIONS.



CUSTOM THEMED PLAYGROUNDS

4400 ONEAL STREET, GREENVILLE, TX 75401 PHONE 903.454.9237 FAX 903.454.3642

TITLE: BOLLARD

TYPE DWG: MOUNTING

SCALE: AS NOTED

DWG. SHEET: **SBSP-M1**